

X20		BRACKET, WINCH MOUNTING 11657022-2 (19207) BB, DB, EB	EA	2	*	*	*	*	*	*			134	21
PO	5305-710-4192	SCREW,CAP, HEXAGON HEAD, BRACKET MS90726-87 (96906) BB, DB, EB	EA	2	*	*	*	*	*	*			134	22
PO	5310-126-5367	NUT, PLAIN, HEXAGON, BRACKET MS21045-C7 (96906) BB, DB, EB	EA	4	*	*	*	*	*	*			134	23
X20		ARM, R. H. WINCH SUPPORT 11657020-2 (19207) BB, DB, EB	EA	1	*	*	*	*	*	*			134	24
X20		ARM, L. H. WINCH SUPPORT 11657020-I (19207) BB, DB, EB	EA	1	*	*	*	*	*	*			134	24
		GROUP 20-WINCH AND POWER TAKE-OFF												
		2001-WINCH ASSEMBLY												
POT	3830-772-8126	WINCH ASSEMBLY 7728126 (19207) BB, DB, EB	EA	1	*	*	*	*	*	*			135	
PF	2590-087-5870	HOUSING COVER AND BUSHING ASSEMBLY LU4-144-0 (08302)	EA	1	*	*	*	*	*	*			135	1
PF	5330-878-8433	GASKET, COVER LU4-144G (08302)	EA	1	*	*	*	*	*	*			135	2
PF	3120-496-2200	BUSHING, HOUSING MU134B (08302)	EA	3	*	*	*	*	*	*			135	3
PF	2590-741-2418	GEAR, WORM MU101R (08302)	EA	1	*	*	*	*	*	*			135	4
X2F		HOUSING. WORM LU4-134-0 (08302)	EA	2	*	*	*	*	*	*			135	5
PF	5330-807-6445	SEAL. PLAIN, ENCASED, CABLE DRUM LU4-135A (08302)	EA	1	*	*	*	*	*	*			135	6
PF	3110-100-0540	CUP, BEARING MU103B (08302)	EA	2	*	*	*	*	*	*			135	7

Current part is item (7) on diagram. Available at www.oshkoshequipment.com

Current part is item (7) on diagram. Available at www.oshkoshequipment.com

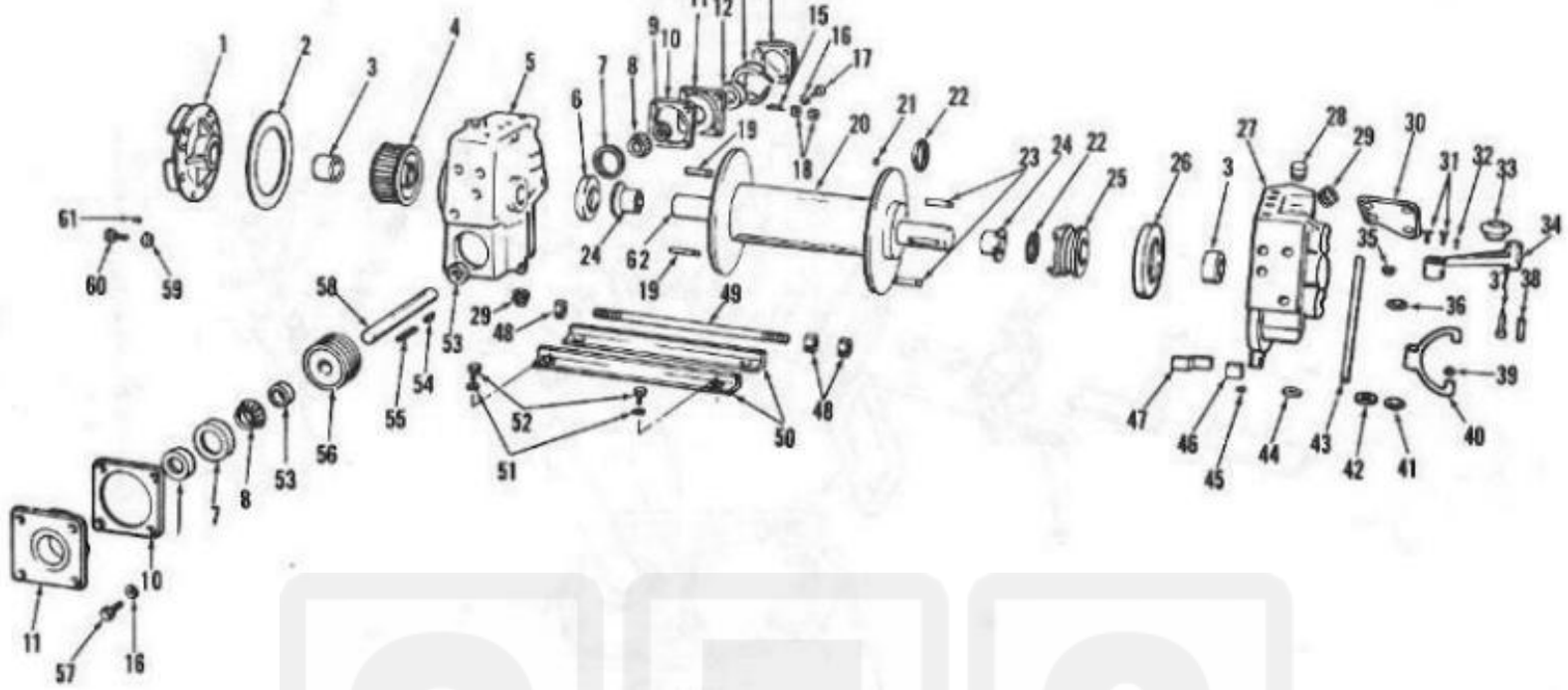


Figure 135: Winch Assembly

Page 361

(1) SMR code	(2) Federal Stock Number	(3) Description Reference Number & Mfg. Code Usable on Code	(4) Qty Unit of meas	(5) inc in unit	(6) 30-day DS maint. allowance			(7) 30-day GS maint. allowance			(8) 1-yr alw per 100 equip cntgcy	(9) Depot maint alw per 100 equip	(10) Illustration	
					(a) 1-20	(b) 21-50	(c) 51-100	(a) 1-20	(b) 21-50	(c) 51-100			(a) Figure No.	(b) Item No.
		2001 WINCH ASSEMBLY Continued												
		WINCH ASSEMBLY Continued												
PF	3110-100-3535	CONE AND ROLLERS MU103A (08302)	EA	2	*	*	*	*	*	*			135	8
PF	5330-585-6642	SEAL, PLAIN ENCASED LU4-149A (08302)	EA	2	*	*	*	*	*	*			135	9
PF	5330-524-9623	GASKET, BEARING RETAINER MU149G (08302)	EA	2	*	*	*	*	*	*			135	10
X2F		RETAINER, BEARING LU 1490 (08302)	EA	2	*	*	*	*	*	*			135	11
PF	2590-741-2415	DRUM, BRAKE MU151 (08302)	EA	1	*	*	*	*	*	*			135	12
PF	2590-735-1201	BAND, BRAKE MU 1520 (08302)	EA	1	*	*	*	*	*	*			135	13
PF	3950-693-1862	HOUSING, BRAKE DRUM LU4-148 (08302)	EA	1	*	*	*	*	*	*			135	14
PF	2590-741-2462	SPRING, BRAKE MU 156 (08302)	EA	1	*	*	*	*	*	*			135	15
PF	5310-660-2987	WASHER, LOCK A3750 (08302)	EA	8	*	*	*	*	*	*			135	16
PF	5305-012-0918	SCREW, CAP, HEXAGON HEAD BRAKE DRUM HOUSING 120918 (24617)	EA	4	*	*	*	*	*	*			135	17

Current part is item (7) on diagram. Available at www.oshkoshequipment.com